

# 15" Marvel Professional Beverage Center

Model # MP15BC\*\*\*\*

- Dynamic Cooling Technology™ delivers rapid cooldown and the industry's best temperature stability
- Soft-close integrated hinge provides a seamless zero clearance installation and a smooth, gentle close
- MARVEL Intuit™ Integrated Controls ensure precise temperature management from 34°F to 42°F
- Two-stage, soft blue theatre-style LED lighting and sophisticated midnight black interior
- Cantilevered, fully adjustable shelving system with stainless fronts
- Thermal-efficient cabinet ensures optimum food preservation and energy efficiency while maximizing capacity
- Tinted, UV-resistant dual pane glass door protects wine from damaging ultra-violet light
- Panel overlay option features soft-close integrated hinge for a truly flush fit with cabinetry
- Audible and visual alarms signal when door is left ajar to protect food integrity and energy use.
- Vacation/Sabbath mode conserves energy during times when the unit is not in use and complies with Star-K requirements
- Height adjustment up to 1" with leveling legs
- Filler kit available for 18" wide opening,
- 3-year warranty



## Storage Capacity

Up to (35) 12-oz cans and (5) wine bottles

## Storage Configuration

(2) cantilevered, full-width black steel-framed glass shelves

## Product Dimensions

14<sup>7</sup>/<sub>8</sub>" W x 33<sup>3</sup>/<sub>4</sub>" minimum H x 25<sup>5</sup>/<sub>8</sub>" D (including handle)

## Finish/Door Options



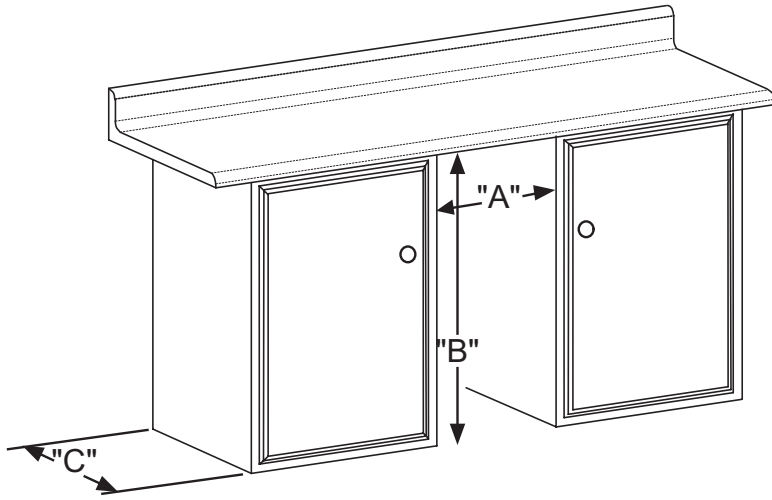
Stainless Steel



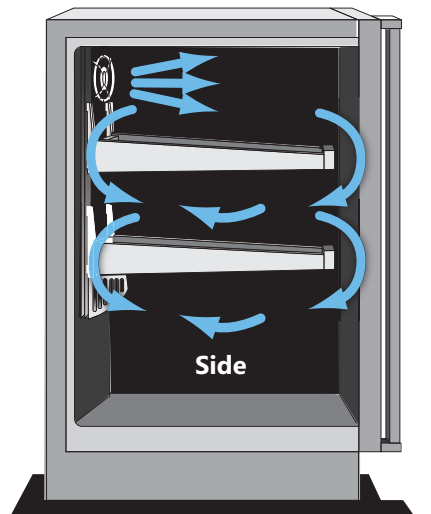
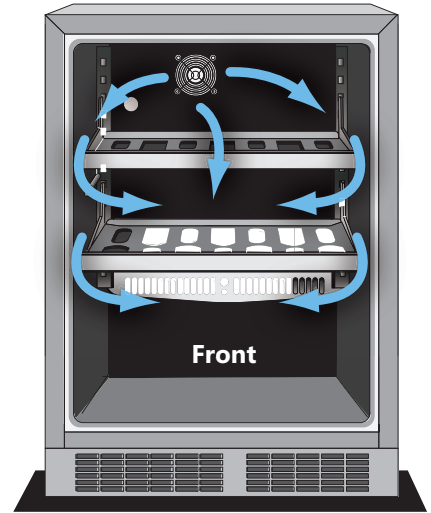
Wood Overlay (Panel Ready)

Ordering Details	
Stainless Frame Glass Door, Right Hinge	MP15BCG3RS
Stainless Frame Glass Door, Left Hinge	MP15BCG3LS
Panel Overlay Frame Glass Door, Integrated Right Hinge	MP15BCF3RP
Panel Overlay Frame Glass Door, Integrated Left Hinge	MP15BCF3LP

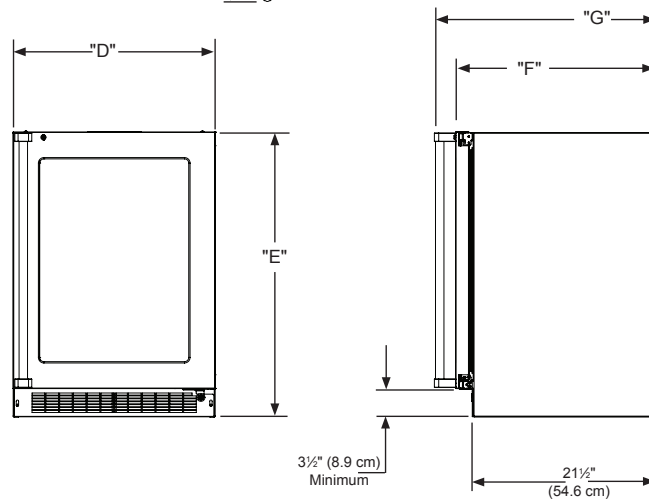
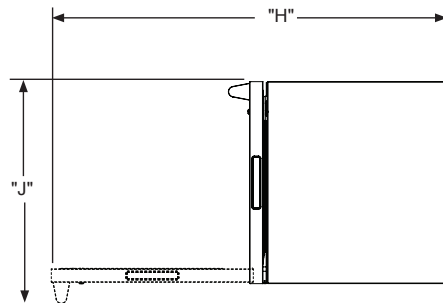
No panel installation kit required.



15" Rough-In Dimensions		
"A"	"B"	"C"
15" (38.1 cm)	**34" to 35" (86.4 to 88.9 cm)	24" (61 cm)



Cabinet Dimensions		
"D"	"E"	"F"
14 7/8" (37.8 cm)	33 3/4" to 34 3/4" (85.7 to 88.3 cm)	23 23/32" (60.2 cm)
"G"	"H"	"J"
26 7/32" (66.6 cm)	37 13/32" (95 cm)	17 7/16" (44.3 cm)



### Dynamic Cooling Technology™ delivers rapid cool down and the industry's best temperature stability

The distinctive Marvel design features a thermal-efficient cabinet and door combined with Dynamic Cooling Technology™ for superior temperature stability, faster cooling times and speedy temperature recovery even with high frequency.

<b>Width</b>	14 7/8"
<b>Interior Finish</b>	Black
<b>Capacity</b>	Up to 5 wine bottles Up to 35 12-oz cans
<b>Shelving System</b>	Side Mount Bottle shape wire
<b>Shelf Fronts</b>	Stainless Steel
<b>Other Storage</b>	
<b>Interior Lighting</b>	2 LED Pods
<b>Toe Grill Finish</b>	Stainless Steel
<b>Hinge</b>	Soft Close Integrated Hinge
<b>Handle</b>	Professional

<b>Control Type</b>	Intuit™
<b>Temperature Range</b>	34° - 42° F
<b>Lock</b>	Yes
<b>Electrical Requirements</b>	120V / 60Hz / 15A
<b>Length of Power Cord</b>	5'
<b>Product Dimensions</b>	14 7/8" W x 33 3/4" H x 21 1/2" D
<b>Depth to Front of Door</b>	23 23/32"
<b>Depth to Handle</b>	26 7/32"
<b>Depth with door at 90°</b>	37 13/32"
<b>Shipping Weight</b>	125 lbs

<b>Finishes</b>	SS, O
<b>Vacation / Sabbath Mode</b>	Yes
<b>Agency Approvals</b>	CSA

### Finishes Key

SS = Stainless Steel  
O = Overlay

# Overlay Panels

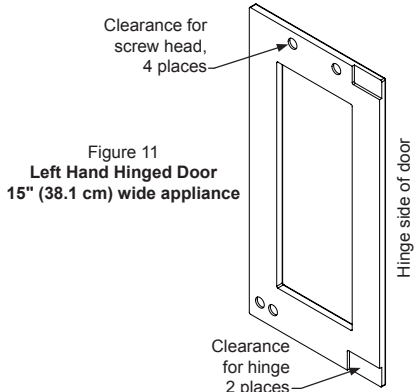


Figure 11  
Left Hand Hinged Door  
15" (38.1 cm) wide appliance

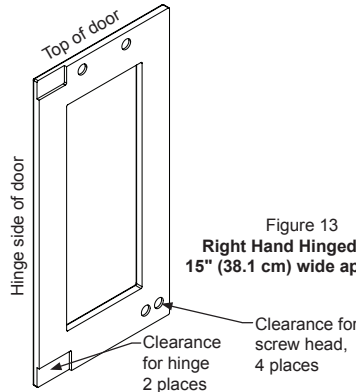


Figure 13  
Right Hand Hinged Door  
15" (38.1 cm) wide appliance

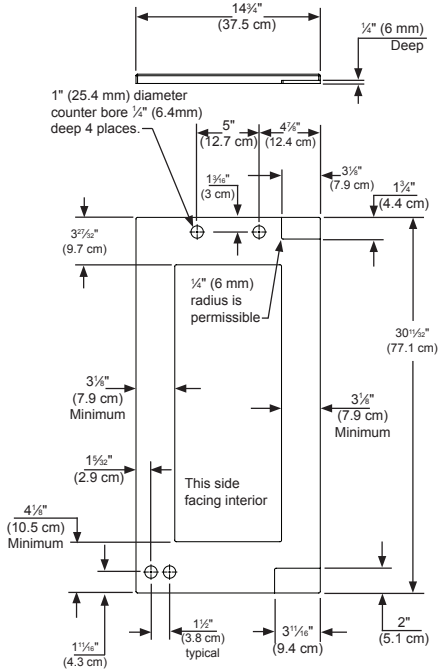


Figure 12  
Left Hand Hinged Door  
15" (38.1 cm) Wide Appliance

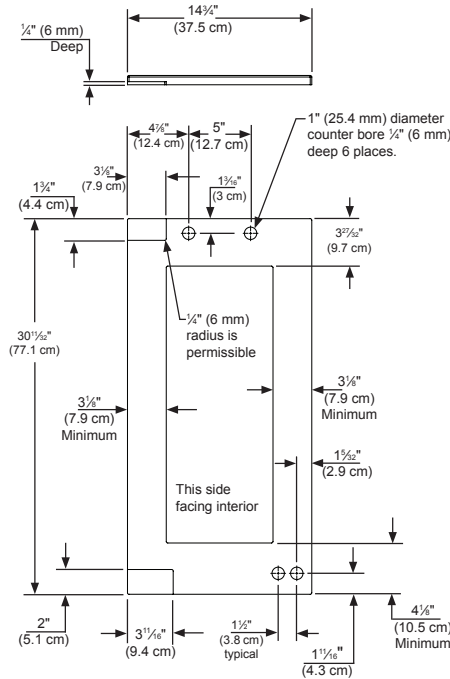


Figure 14  
Right Hand Hinged Door  
15" (38.1 cm) wide appliance

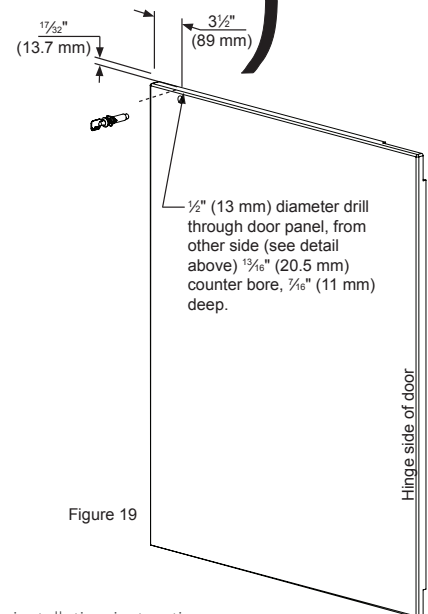
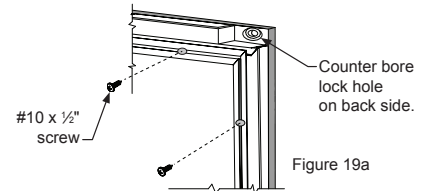


Figure 19

Material Type	#10 Wood Screw
Hardwood	1/8" (3.2 mm) Diameter. Pilot Hole
Softwood	3/16" (2.8 mm) Diameter. Pilot Hole

Table C

The preferred method of attaching the panel to the door is to clamp the panel to the door so it cannot move while drilling the screw pilot holes. Use bar clamps or "C" clamps with pads on the clamping surfaces that will not mar the panel or the door. The custom overlay panel should be flush with the top of the door and centered along the width of the door. See Figure 10a. Drill holes through the gasket extrusion using the 10 holes as pilot holes. Use the drill size from the chart in Table "C", being careful not to drill through the front surface of the panel, drill no deeper than 1/2" (12.7 mm) deep. If the overlay panel is thinner than 3/8" (16 mm) thick shorter screws will have to be obtained. Fasten the panel to the door with the 10 screws provided in the literature pack. (See Figure 19a). Remove the clamps and replace the gasket in the gasket extrusion channels of the door. Some force may be required to seat the gasket into the channels. Be sure the gasket corners are seated properly.

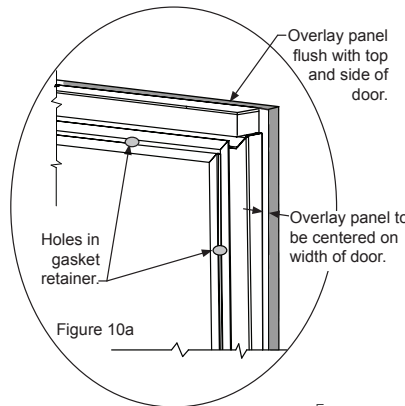


Figure 10a

For comprehensive installation instructions, please visit [www.marvelrefrigeration.com](http://www.marvelrefrigeration.com)